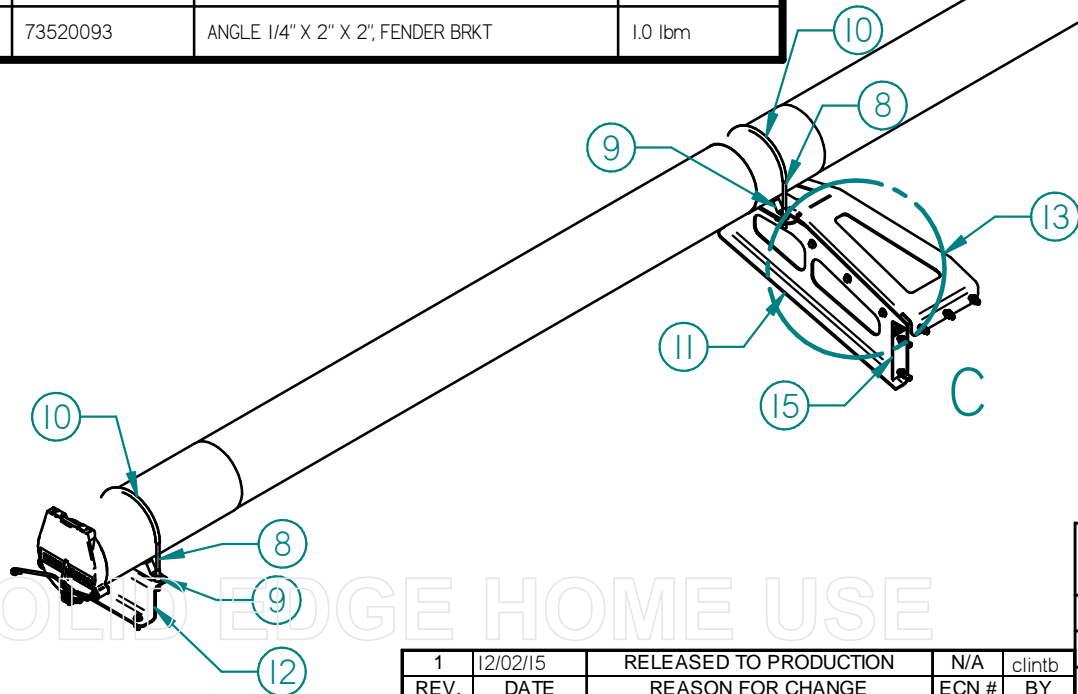
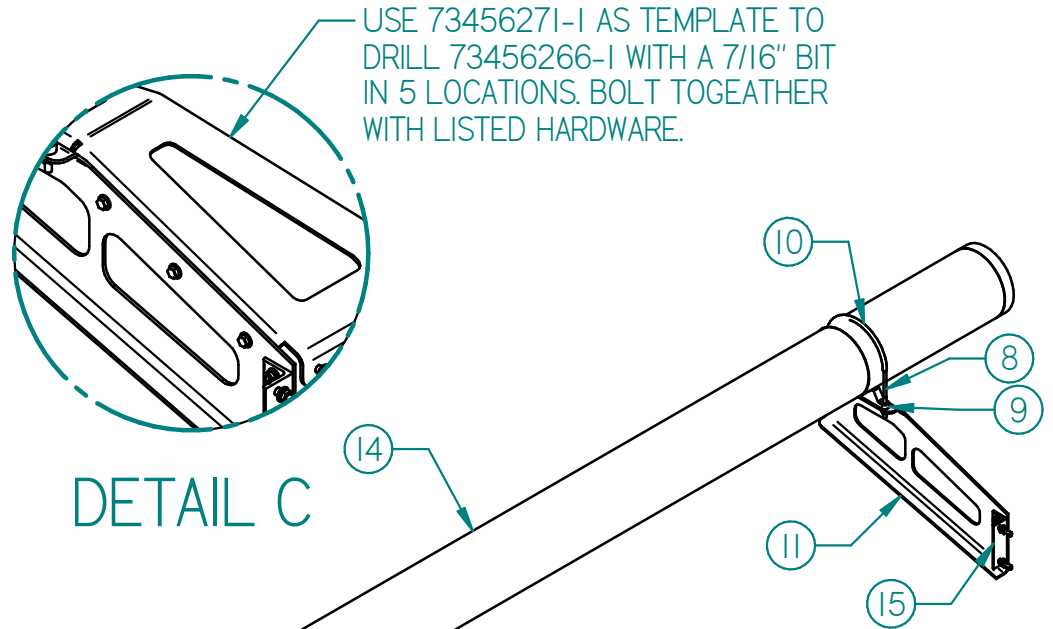


# HOSE TUBE KIT, ADD ON, DS, 8" X 21'

PART #: 73803004

ITEM	QTY.	PART No.	DESCRIPTION	WEIGHT
1	42	20103710	WASHER, 3/8" STAINLESS	0.3 lbm
2	24	20113710	WASHER LOCK, 3/8" STAINLESS	0.2 lbm
3	24	20203763	LOCK NUT, 3/8-16 STAINLESS	0.4 lbm
4	9	20303163-1.0	HHCS, 3/8-16 X 1" STAINLESS	0.5 lbm
5	2	20303163-1.2	HHCS, 3/8-16 X 1 1/4" STAINLESS	0.1 lbm
6	3	20303163-1.5	HHCS, 3/8-16 X 1 1/2" STAINLESS	0.2 lbm
7	4	20303163-2.0	HHCS, 3/8-16 X 2" STAINLESS	0.3 lbm
8	3	28173004	U-BOLT - 3/8-16 X 8" ZINC	1.9 lbm
9	3	28173005	BRKT - 8" U-BOLT, HOSE TUBE SADDLE	1.9 lbm
10	3	73456211	U-BOLT RUBBER SLEEVE 24100700	0.1 lbm
11	2	73456266-1	BRKT, 8" HOSE TUBE MOUNT TO FRAME, DS	7.8 lbm
12	1	73456267	BRKT, 8" HOSE TUBE MOUNT TO FENDER	1.4 lbm
13	1	73456271-1	HOSE TUBE GUSSET, DS, FOR ANGLE STYLE	3.9 lbm
14	1	73457000-T49	HOSE TUBE ASSEMBLY, TOP HINGE	42.7 lbm
15	2	73520093	ANGLE 1/4" X 2" X 2", FENDER BRKT	1.0 lbm

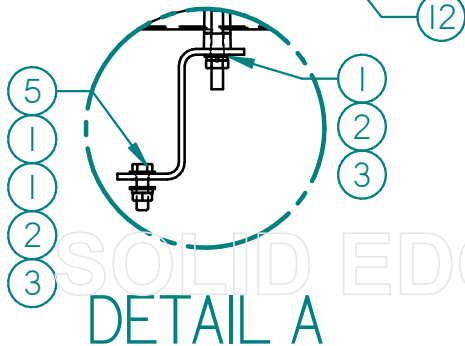
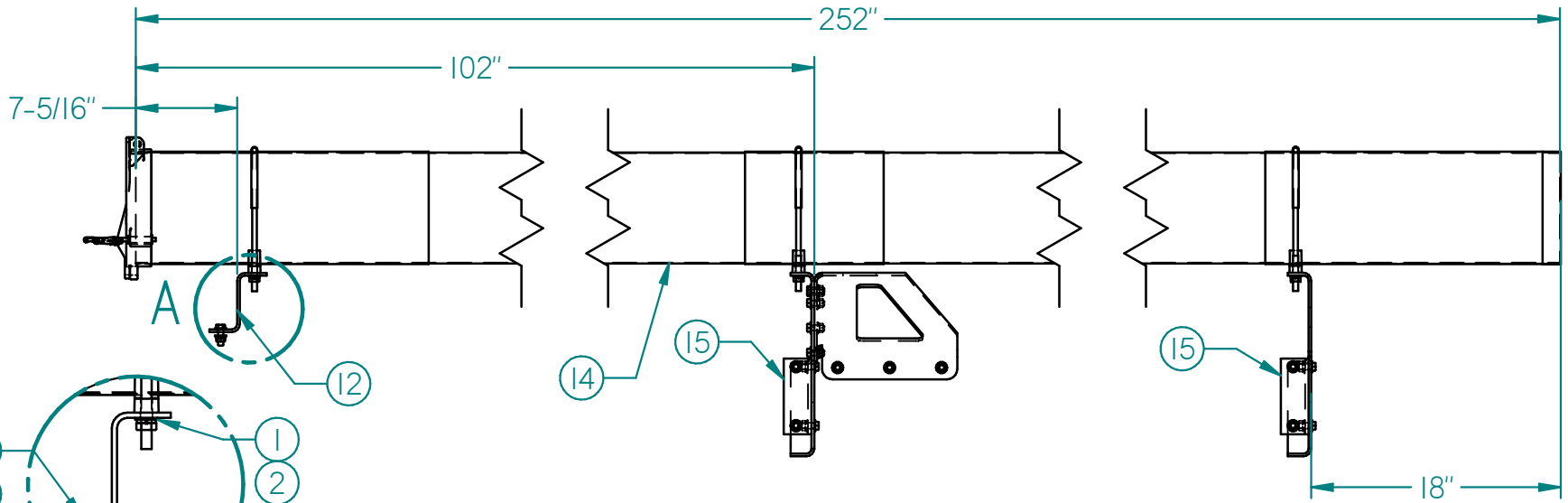
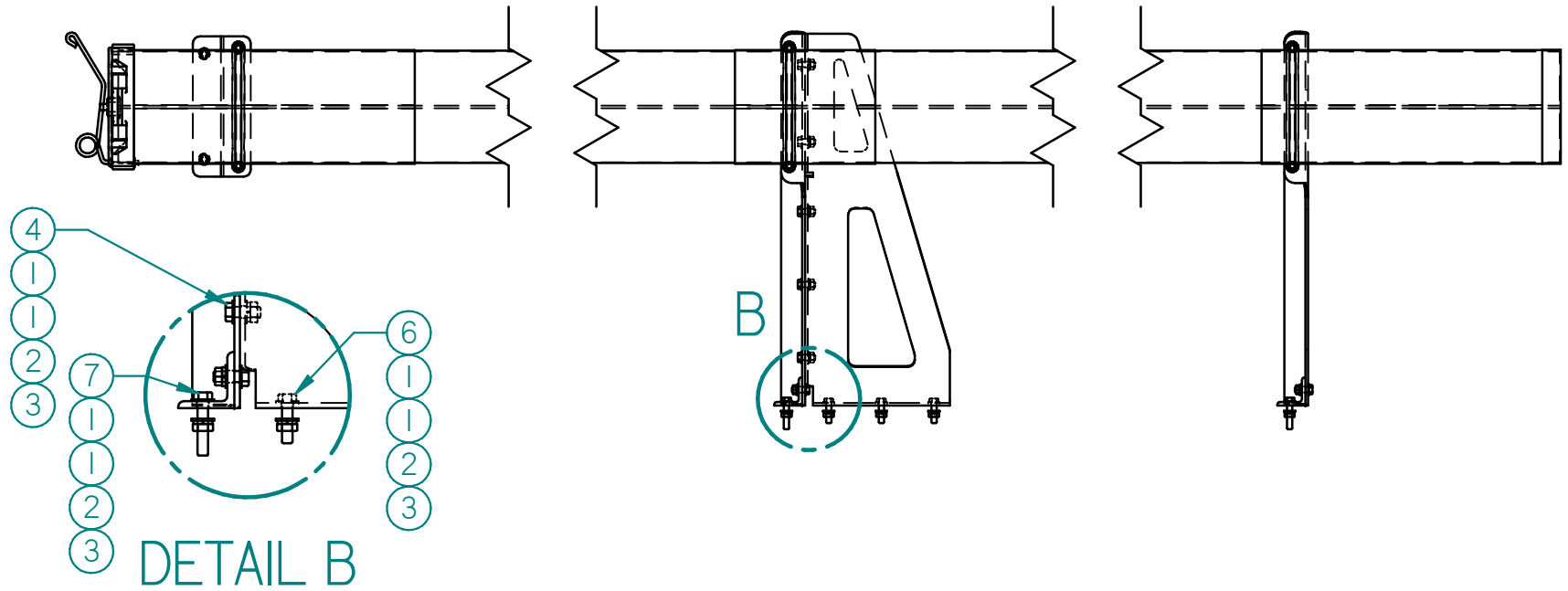


SOLID EDGE HOME USE

THIS DRAWING IS THE PROPERTY OF MAC MANUFACTURING INC. AND SUBJECT TO RECALL, AT ANY TIME. DUPLICATION OR DISTRIBUTION WITHOUT PERMISSION IS PROHIBITED.		<b>MAC</b> MANUFACTURING INC.
UNLESS OTHERWISE SPECIFIED DIMENSIONS ARE IN INCHES ANGLES ±2° FRACTIONS ±1/16" DECIMALS: ±0.02		
DRAWN: clintb	DATE: 12/02/15	HOSE TUBE KIT, ADD ON, DS, 8" X 21' 49" TANDEM
WEIGHT: 62.6 lbm	PAGE 1 OF 6	PART #: 73803004

1	12/02/15	RELEASED TO PRODUCTION	N/A	clintb
REV.	DATE	REASON FOR CHANGE	ECN #	BY

# HOSE TUBE KIT, ADD ON, DS, 8" X 21'



THIS DRAWING IS THE PROPERTY OF MAC MANUFACTURING INC. AND SUBJECT TO RECALL, AT ANY TIME. DUPLICATION OR DISTRIBUTION WITHOUT PERMISSION IS PROHIBITED.

**MAC** MANUFACTURING INC.

UNLESS OTHERWISE SPECIFIED DIMENSIONS ARE IN INCHES ANGLES ±2° FRACTIONS +1/16" DECIMALS: ±0.02

HOSE TUBE KIT, ADD ON, DS, 8" X 21'  
49" TANDEM

1	12/02/15	RELEASED TO PRODUCTION	N/A	clintb
REV.	DATE	REASON FOR CHANGE	ECN #	BY

DRAWN: clintb

DATE: 12/02/15

WEIGHT: 62.6 lbm

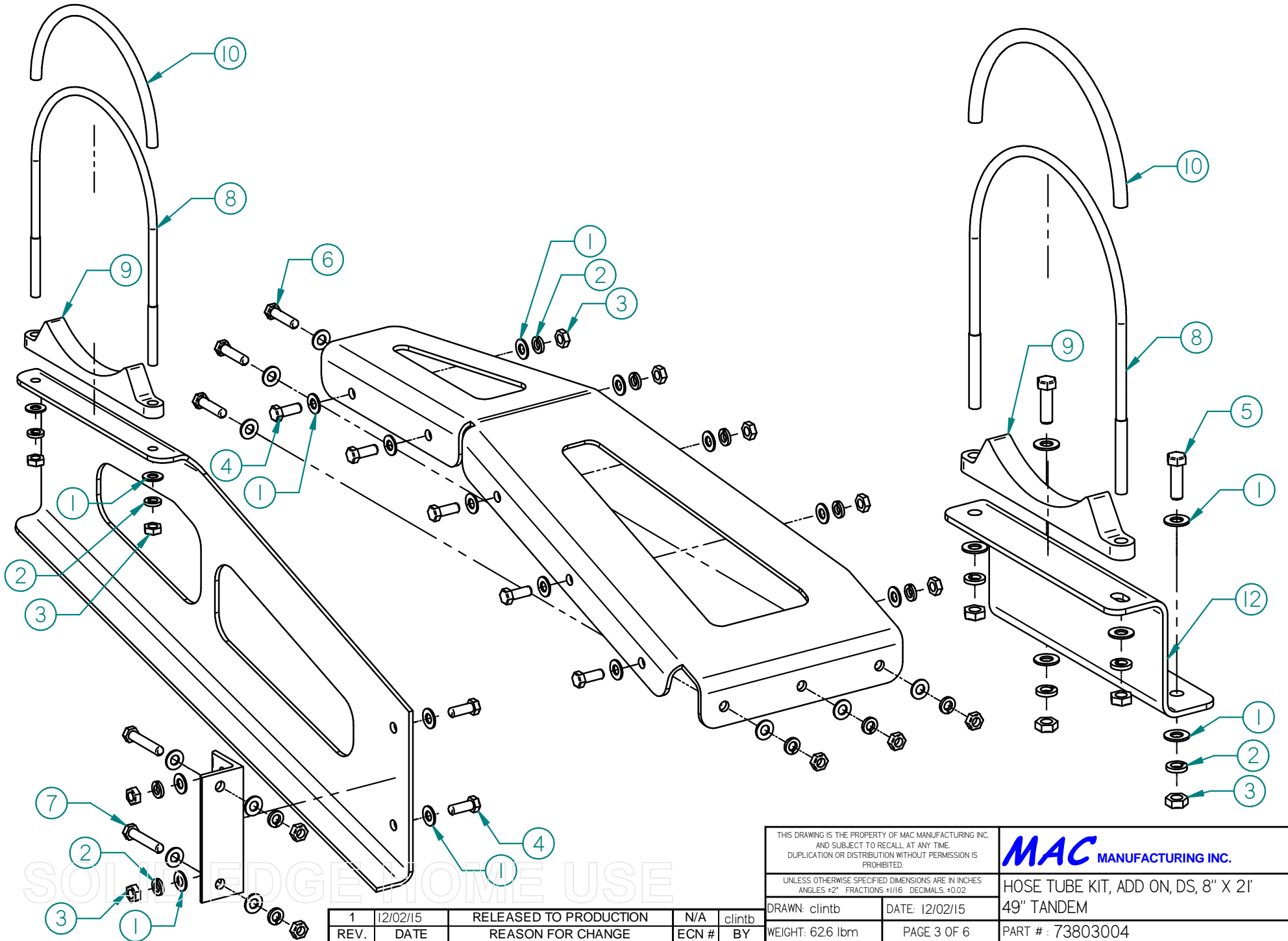
PAGE 2 OF 6

PART #: 73803004

SOLID EDGE HOME USE

# HOSE TUBE KIT, ADD ON, DS, 8" X 21'

PART #: 73803004



THIS DRAWING IS THE PROPERTY OF MAC MANUFACTURING INC. AND SUBJECT TO RECALL, AT ANY TIME. DUPLICATION OR DISTRIBUTION WITHOUT PERMISSION IS PROHIBITED.

**MAC** MANUFACTURING INC.

UNLESS OTHERWISE SPECIFIED DIMENSIONS ARE IN INCHES ANGLES ±2° FRACTIONS +1/16 DECIMALS ±0.02

HOSE TUBE KIT, ADD ON, DS, 8" X 21' 49" TANDEM

DRAWN: clintb DATE: 12/02/15

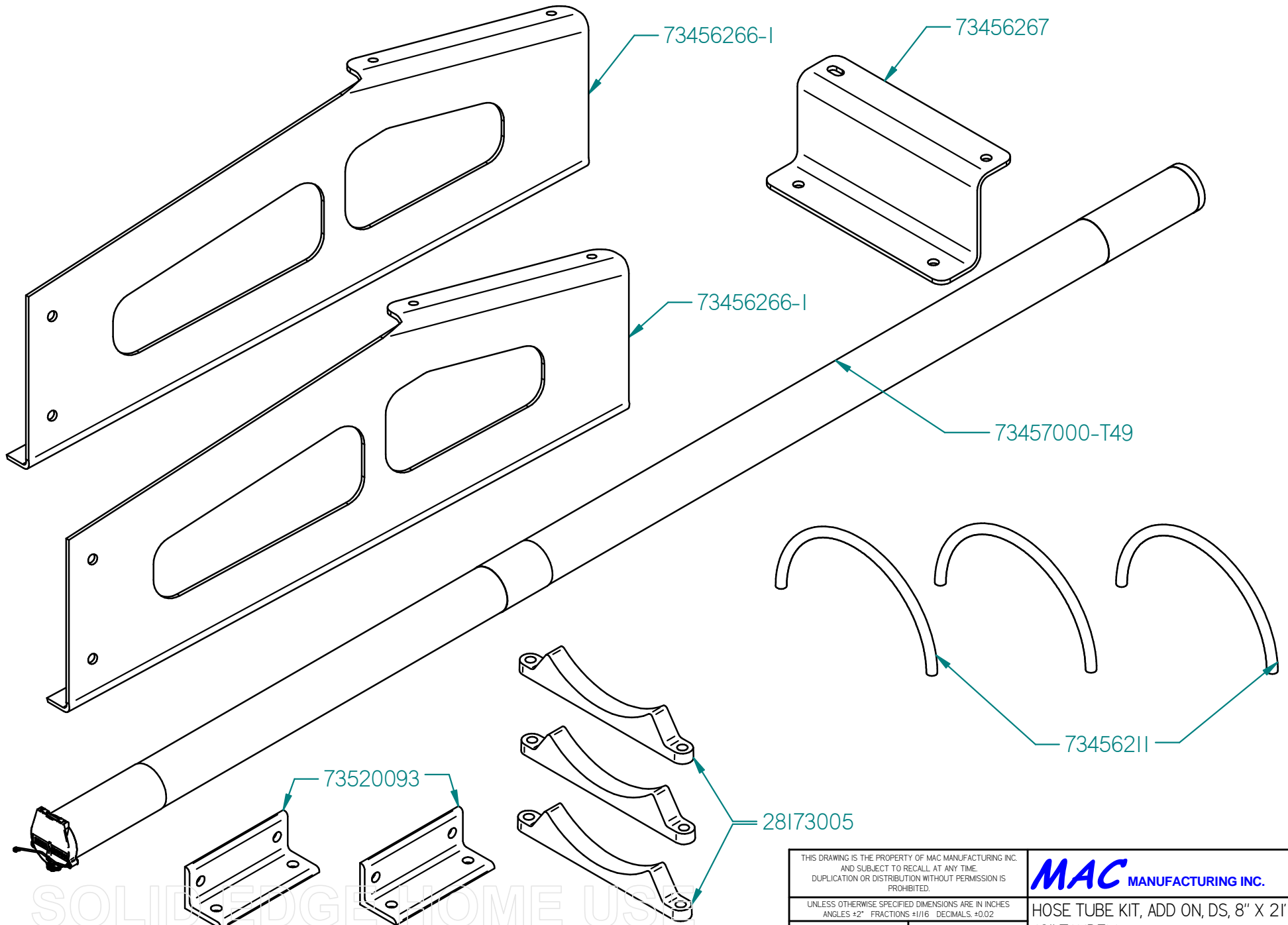
PART #: 73803004

1	12/02/15	RELEASED TO PRODUCTION	N/A	clintb
REV.	DATE	REASON FOR CHANGE	ECN #	BY

WEIGHT: 626 lbm PAGE 3 OF 6

# HOSE TUBE KIT, ADD ON, DS, 8" X 21'

PART #: 73803004

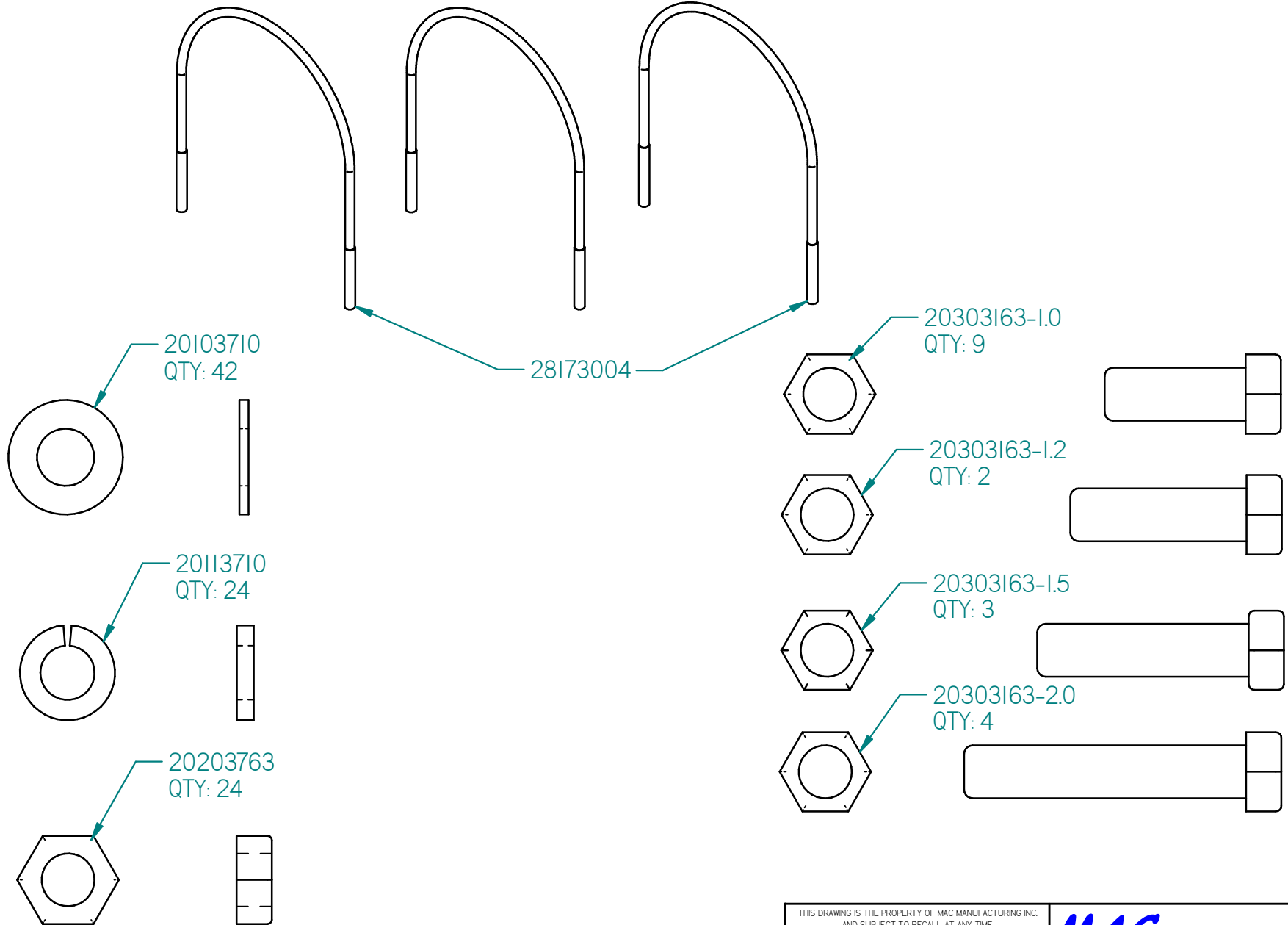


SOLID EDGE HOME USE

THIS DRAWING IS THE PROPERTY OF MAC MANUFACTURING INC. AND SUBJECT TO RECALL AT ANY TIME. DUPLICATION OR DISTRIBUTION WITHOUT PERMISSION IS PROHIBITED.		<b>MAC</b> MANUFACTURING INC.	
UNLESS OTHERWISE SPECIFIED DIMENSIONS ARE IN INCHES ANGLES ±2° FRACTIONS ±1/16" DECIMALS ±0.02		HOSE TUBE KIT, ADD ON, DS, 8" X 21' 49" TANDEM	
DRAWN: clintb	DATE: 12/02/15	PART #: 73803004	
WEIGHT: 62.6 lbm	PAGE 4 OF 6		

1	12/02/15	RELEASED TO PRODUCTION	N/A	clintb
REV.	DATE	REASON FOR CHANGE	ECN #	BY

# HOSE TUBE KIT, ADD ON, DS, 8" X 21'



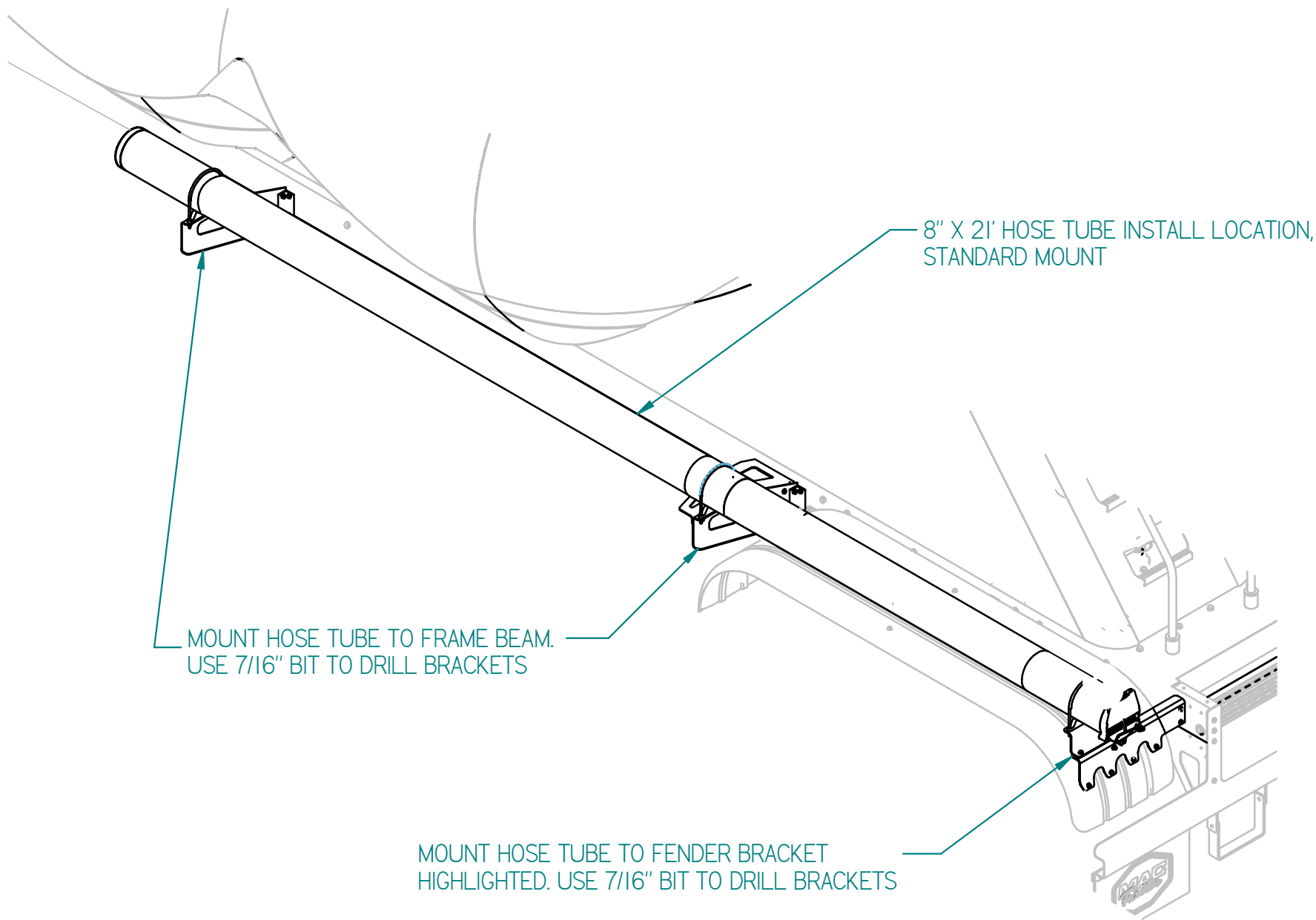
SOLID EDGE HOME USE

THIS DRAWING IS THE PROPERTY OF MAC MANUFACTURING INC. AND SUBJECT TO RECALL, AT ANY TIME. DUPLICATION OR DISTRIBUTION WITHOUT PERMISSION IS PROHIBITED.		<b>MAC</b> MANUFACTURING INC.	
UNLESS OTHERWISE SPECIFIED DIMENSIONS ARE IN INCHES ANGLES ±2° FRACTIONS ±1/16 DECIMALS ±0.02		HOSE TUBE KIT, ADD ON, DS, 8" X 21' 49" TANDEM	
DRAWN: clintb	DATE: 12/02/15	PART #: 73803004	
WEIGHT: 626 lbm	PAGE 5 OF 6		

1	12/02/15	RELEASED TO PRODUCTION	N/A	clintb
REV.	DATE	REASON FOR CHANGE	ECN #	BY

# HOSE TUBE KIT, ADD ON, DS, 8" X 21'

PART # : 73803004



MOUNT HOSE TUBE TO FRAME BEAM.  
USE 7/16" BIT TO DRILL BRACKETS

8" X 21' HOSE TUBE INSTALL LOCATION,  
STANDARD MOUNT

MOUNT HOSE TUBE TO FENDER BRACKET  
HIGHLIGHTED. USE 7/16" BIT TO DRILL BRACKETS

SOLID EDGE HOME USE

THIS DRAWING IS THE PROPERTY OF MAC MANUFACTURING INC. AND SUBJECT TO RECALL AT ANY TIME. DUPLICATION OR DISTRIBUTION WITHOUT PERMISSION IS PROHIBITED.		<b>MAC</b> MANUFACTURING INC.	
UNLESS OTHERWISE SPECIFIED DIMENSIONS ARE IN INCHES ANGLES ±2° FRACTIONS ±1/16" DECIMALS ±0.02		HOSE TUBE KIT, ADD ON, DS, 8" X 21' 49" TANDEM	
DRAWN: clintb	DATE: 12/02/15	PART # : 73803004	
WEIGHT: 62.6 lbm	PAGE 6 OF 6		

1	12/02/15	RELEASED TO PRODUCTION	N/A	clintb
REV.	DATE	REASON FOR CHANGE	ECN #	BY