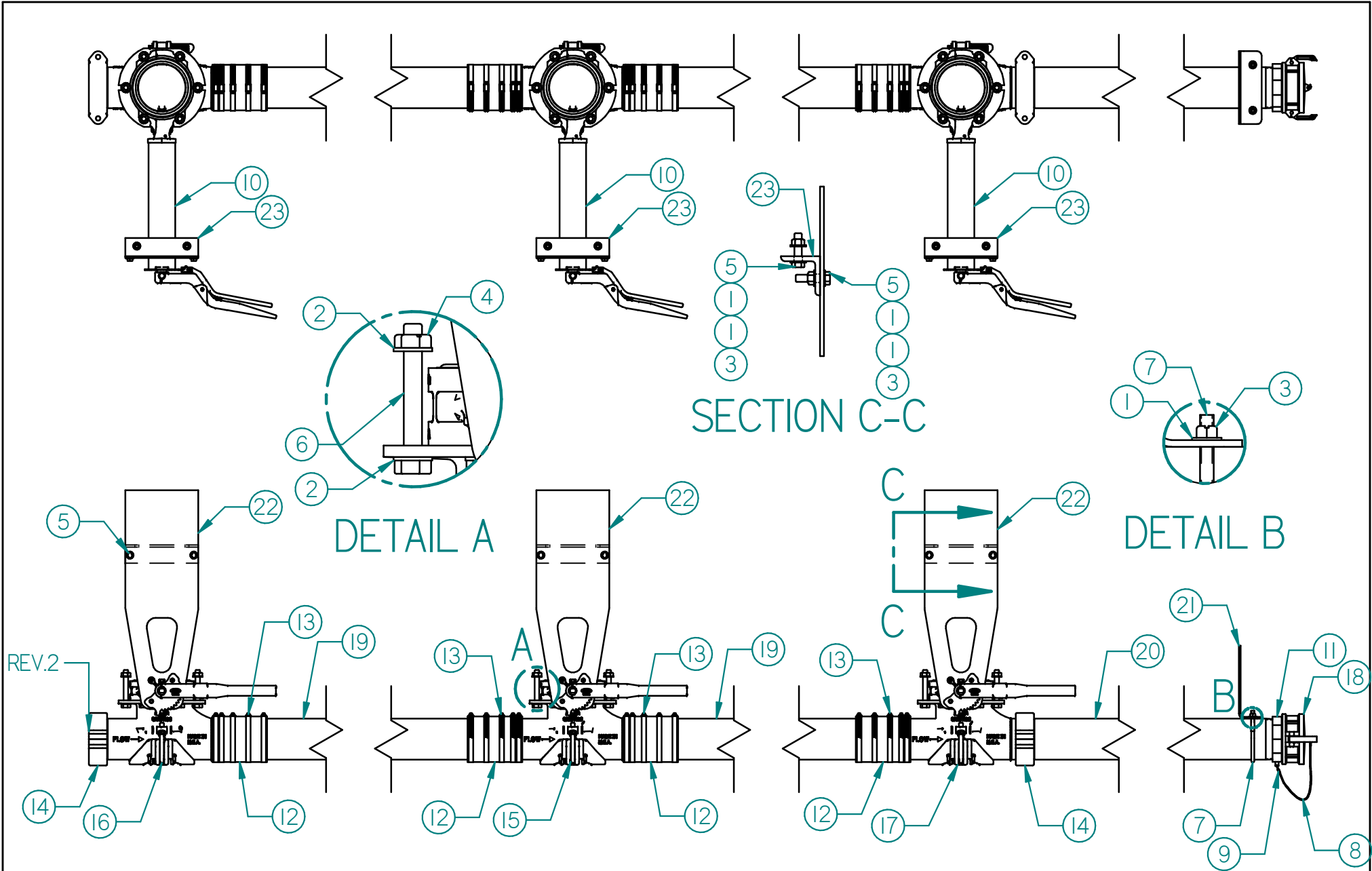


SAND DISCHARGE RETRO FIT KIT

PART #: 73803001



SOLID EDGE HOME USE

THIS DRAWING IS THE PROPERTY OF MAC MANUFACTURING INC. AND SUBJECT TO RECALL, AT ANY TIME. DUPLICATION OR DISTRIBUTION WITHOUT PERMISSION IS PROHIBITED.

MAC MANUFACTURING INC.

UNLESS OTHERWISE SPECIFIED DIMENSIONS ARE IN INCHES ANGLES ±2° FRACTIONS 1/16 DECIMALS ±0.02

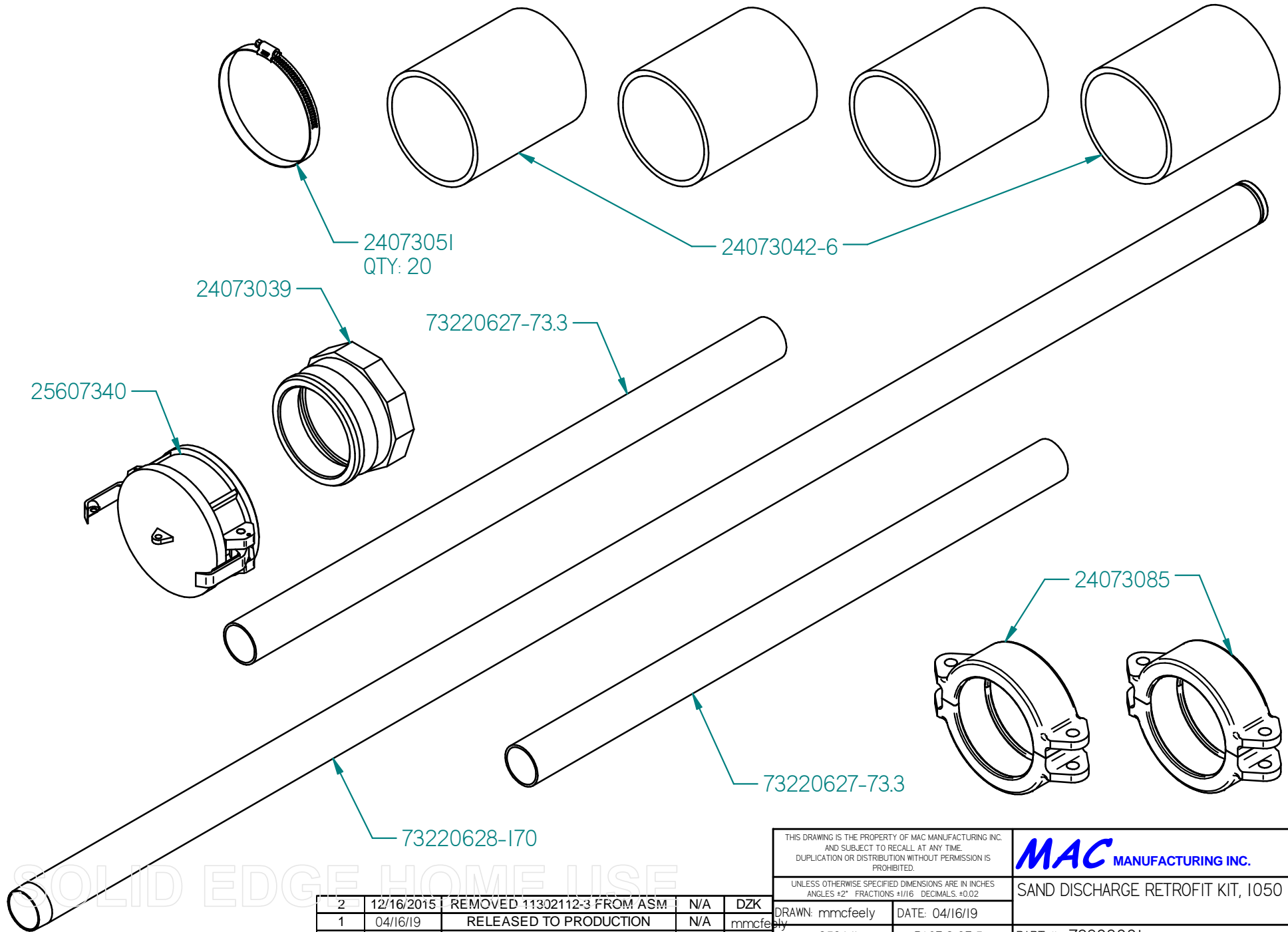
SAND DISCHARGE RETROFIT KIT, 1050

2	12/16/2015	REMOVED 11302112-3 FROM ASM	N/A	DZK
1	04/16/19	RELEASED TO PRODUCTION	N/A	mmcfesly
REV.	DATE	REASON FOR CHANGE	ECN #	BY

DRAWN: mmcfesly	DATE: 04/16/19
WEIGHT: 350.1 lbm	PAGE 1 OF 5

PART #: 73803001

SAND DISCHARGE RETRO FIT KIT



SOLID EDGE HOME USE

REV.	DATE	REASON FOR CHANGE	ECN #	BY
2	12/16/2015	REMOVED 11302112-3 FROM ASM	N/A	DZK
1	04/16/19	RELEASED TO PRODUCTION	N/A	mmcfely

THIS DRAWING IS THE PROPERTY OF MAC MANUFACTURING INC. AND SUBJECT TO RECALL AT ANY TIME. DUPLICATION OR DISTRIBUTION WITHOUT PERMISSION IS PROHIBITED.	
UNLESS OTHERWISE SPECIFIED DIMENSIONS ARE IN INCHES ANGLES ±2° FRACTIONS ±1/16 DECIMALS ±0.02	
DRAWN: mmcfely	DATE: 04/16/19
WEIGHT: 350.1 lbm	PAGE 2 OF 5

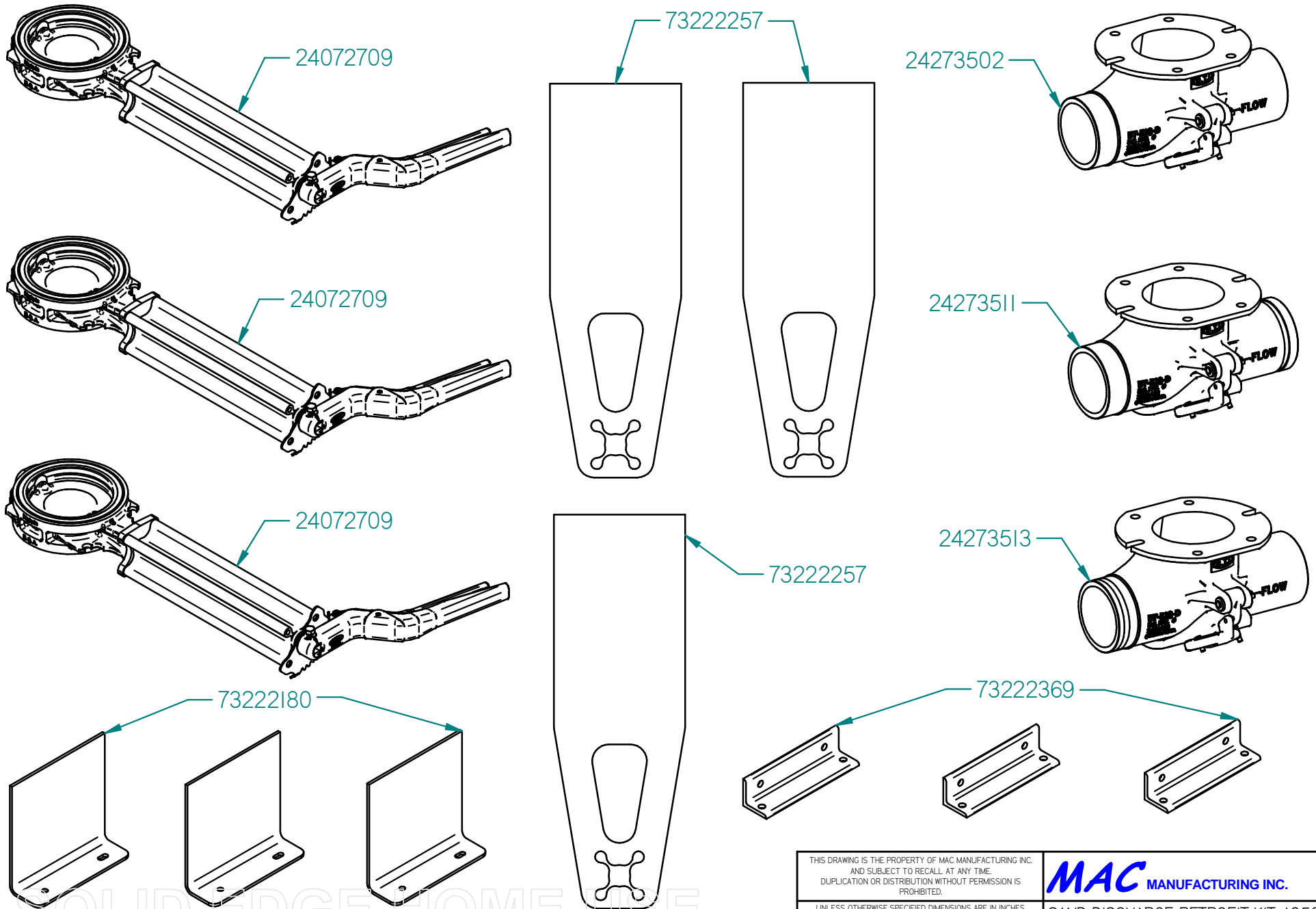
MAC MANUFACTURING INC.

SAND DISCHARGE RETROFIT KIT, 1050

PART #: 73803001

SAND DISCHARGE RETRO FIT KIT

PART #: 73803001



THIS DRAWING IS THE PROPERTY OF MAC MANUFACTURING INC.
AND SUBJECT TO RECALL, AT ANY TIME.
DUPLICATION OR DISTRIBUTION WITHOUT PERMISSION IS
PROHIBITED.

MAC MANUFACTURING INC.

UNLESS OTHERWISE SPECIFIED DIMENSIONS ARE IN INCHES
ANGLES ±2° FRACTIONS +1/16" DECIMALS ±0.02

SAND DISCHARGE RETROFIT KIT, 1050

2	12/16/2015	REMOVED 11302112-3 FROM ASM	N/A	DZK
1	04/16/19	RELEASED TO PRODUCTION	N/A	mmcfely
REV.	DATE	REASON FOR CHANGE	ECN #	BY

DRAWN: mmcfely
WEIGHT: 350.1 lbm

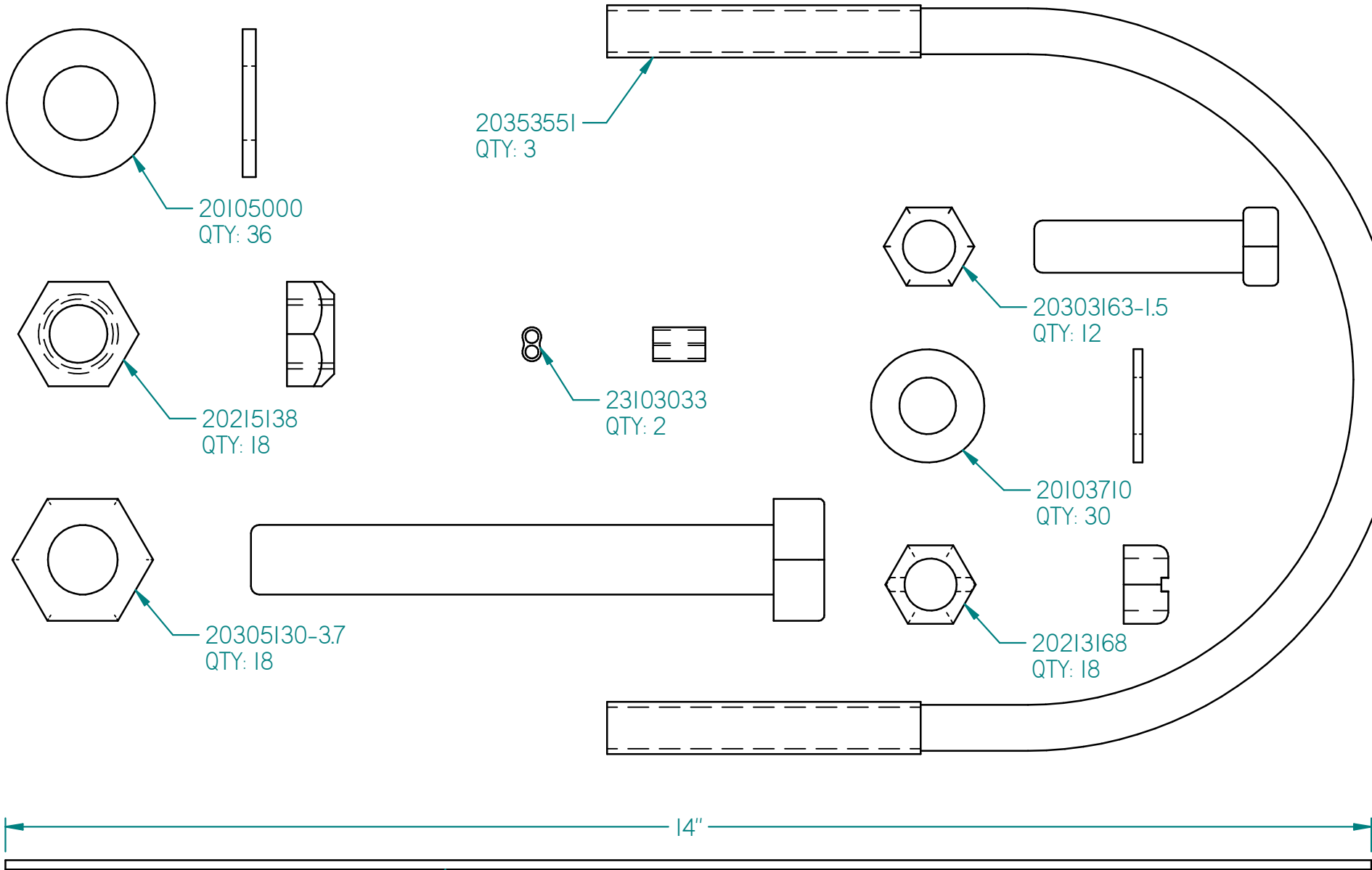
DATE: 04/16/19
PAGE 3 OF 5

PART #: 73803001

SOLID EDGE HOME TIME

SAND DISCHARGE RETRO FIT KIT

PART #: 73803001



SOLID EDGE HOME USE

23103032-14					THIS DRAWING IS THE PROPERTY OF MAC MANUFACTURING INC. AND SUBJECT TO RECALL. AT ANY TIME. DUPLICATION OR DISTRIBUTION WITHOUT PERMISSION IS PROHIBITED.		
					UNLESS OTHERWISE SPECIFIED DIMENSIONS ARE IN INCHES ANGLES ±2° FRACTIONS ±1/16 DECIMALS ±0.02		
2	12/16/2015	REMOVED 11302112-3 FROM ASM	N/A	DZK	DRAWN: mmcfely	DATE: 04/16/19	PART #: 73803001
1	04/16/19	RELEASED TO PRODUCTION	N/A	mmcfely	WEIGHT: 350.1 lbm		
REV.	DATE	REASON FOR CHANGE	ECN #	BY	PAGE 4 OF 5		

SAND DISCHARGE RETRO FIT KIT

PARTS LIST FOR 73803001

ITEM	QTY.	PART No.	DESCRIPTION	WEIGHT
1	30	20103710	WASHER, 3/8" STAINLESS	0.2 lbm
2	36	20105000	WASHER, 1/2" SAE ZINC	3.6 lbm
3	18	20213168	LOCKNUT,3/8-16 GR 8	0.2 lbm
4	18	20215138	LOCK NUT, 1/2-13 GRADE 8	0.8 lbm
5	12	20303163-1.5	HHCS,3/8-16 X 1 1/2" STAINLESS	0.8 lbm
6	18	20305130-3.7	BOLT, HHCS 1/2-13 x 3-3/4" LG. GRADE 8	5.0 lbm
7	3	20353551	U-BOLT - 3/8-16 X 4.5" STAINLESS	1.1 lbm
8	1	23103032-14	3/32" X 14" WIRE ROPE	0.0 lbm
9	2	23103033	WIRE CRIMP	0.0 lbm
10	3	24072709	5" BTI BUTTERFLY VALVE SS/DISC, 14" EXT HD HANDLE	0.0 lbm
11	1	24073039	COUPLER MALE 4"STEEL W/ FEMALE	4.3 lbm
12	4	24073042-6	HOSE 4.5" ID, RUBBER CLAMP	3.0 lbm
13	20	24073051	HOSE CLAMP, SST 5 1/2", WORM GEAR	0.0 lbm
14	2	24073085	VICTAULIC CLAMP, 4" BOLT ON	7.6 lbm
15	1	24273502	BTI 5X4 SANDHOG BTM DROP PLN X PLN	0.1 lbm
16	1	24273511	BTI 5X4 SANDHOG BTM DROP GRV X PLN	0.0 lbm
17	1	24273513	BTI 5X4 SANDHOG BTM DROP PLN X GRV	0.1 lbm
18	1	25607340	DUST CAP, 4" ALUM	1.7 lbm
19	2	73220627-73.3	PIPE, 4" SCH 40 GALV STEEL	131.8 lbm
20	1	73220628-170	PIPE, 4" SCH 40 GALV STEEL	152.3 lbm
21	3	73222180	4" PIPE BRACKET, SIDE	4.4 lbm
22	3	73222257	BRKT, HANDLE EXT SUPPORT, 14"	8.4 lbm
23	3	73222369	ANGLE, EXTENSION SUPPORT MOUNT	2.1 lbm