

- Wide variety of suspension / axle configurations
- Versatility for the global market
- Low-maintenance



Axle that fits global needs

Hendrickson offers a full line of industry standard, low maintenance non-integrated trailer axles to fit a variety of configurations for the global, commercial and industrial vehicle markets. TRLAXLE® trailer axles are available in numerous spindle types, capacities and axle tracks, drum or air disc brakes, 12¼- to 16½-inch brakes and many RTR® READY-TO-ROLL® wheel-ends, slack adjuster and brake chamber options – to fit either air or mechanical spring applications.

By combining Hendrickson TRLAXLE trailer axles with HT™ Series air suspensions, Hendrickson offers a wide variety of suspension / axle combinations and application coverage. TRLAXLE trailer axles deliver a low cost, low maintenance solution and superior customer and warranty support.

To learn more about TRLAXLE, call 866.743.3247 or visit www.hendrickson-intl.com



MAC Trailer Aftermarket Parts, Inc.
Phone: 1-800-647-9424 • 330-823-6885
Fax: 330-823-6883 • Web: www.MACtrailer.com
Email: parts@mactrailer.com

TRLAXLE® Trailer Axle Features and Benefits

Axle

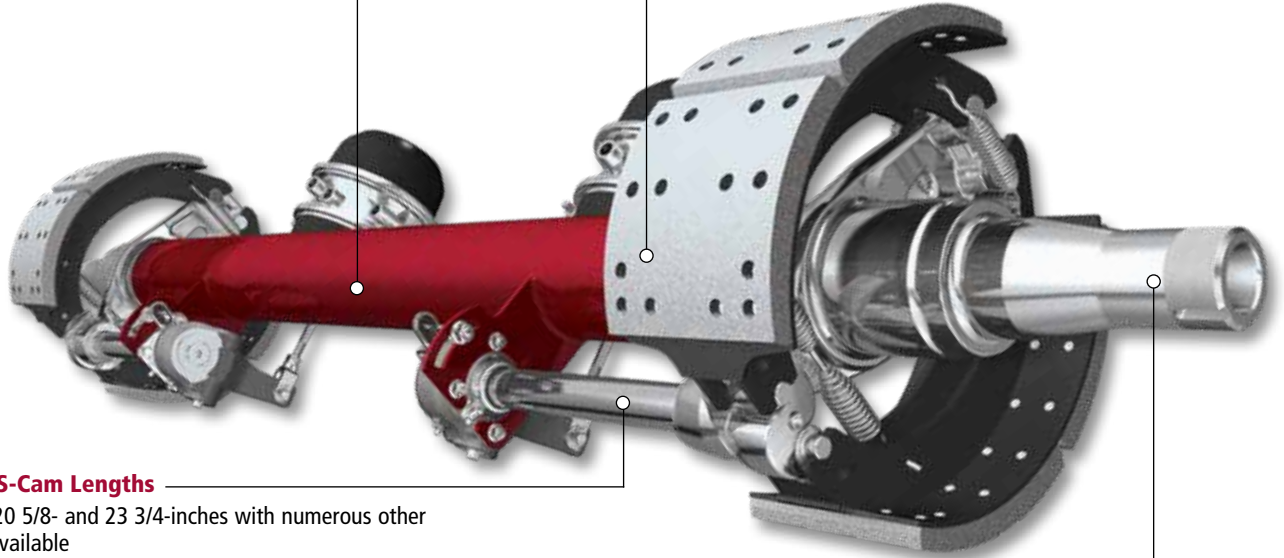
- Axle capacities from 20,000 to 27,000 pounds
- Available in 1/2- to 3/4-inch wall
- Patented axle filter protects the wheel-end from contamination

Drum Brakes

- 12 1/4-, 15-, 16 1/2-inch brake shoe diameters in various widths

Hendrickson Proprietary Brake Linings

- Brake linings available in standard service and HXS® Hendrickson Extended Service™



Standard S-Cam Lengths

- 17 5/8-, 20 5/8- and 23 3/4-inches with numerous other lengths available

Cam Tube (Cam Cover)

- Cam tube option to extend cam life
- Available for limited cam lengths: 11 1/8-, 17 5/8-, 20 5/8-, 22 5/8-, 23 3/4-, 24 1/4-, 25 1/2-, 26 1/2- and 28 3/8-inches

HP and HN Spindles

- Friction-welded
- Parallel spindle promotes even lubrication of inner and outer bearings
- Approved for wide base tires using 2-inch offset rims (HP spindles ONLY)

TRLAXLE Trailer Axle Value-Added Options

- RTR® READY-TO-ROLL® wheel-end options reduce weight, enhance durability and lower maintenance
 - HXL3® Hendrickson Extended-Life 3-year System™
 - HXL5® Hendrickson Extended-Life 5-year System™
 - HXL7® Hendrickson Extended-Life 7-year System™
- Ductile iron, Dura-Light Hub® or aluminum hubs
- Standard and heavy-duty drums
- TIREMAAX® tire inflation system helps maximize tire life and maintain peak fuel mileage
- Air disc brakes available, including Hendrickson's MAXX22T™ optimized trailer air disc brake, with limited tracks and no 3/4-inch wall
- 5.5- or 6-inch slack adjusters
- Brake chambers in various configurations
- Dust shields (15- and 16 1/2-inch brake size only) are optional on dressed axles only
- All Hendrickson TRLAXLE® trailer axles are backed by an industry leading limited warranty* and Hendrickson's world-class customer and technical support
- AAXTREME COAT® premium brake shoe coating provides extreme protection in the toughest environments

See RTR READY-TO-ROLL Wheel-End Flyer - L1200

See TIREMAAXPRO Brochure - L1199

See AAXTREME COAT Flyer - L1207

See MAXX22T Flyer - L1239

* For complete warranty terms, conditions and limitations, see the current version of Hendrickson's Comprehensive Warranty Statement L583 (available at www.hendrickson-intl.com).

Call your trailer dealer or Hendrickson at **330.489.0045** or **866.RIDEAIR (743.3247)** for additional information.



www.hendrickson-intl.com

TRAILER COMMERCIAL VEHICLE SYSTEMS

2070 Industrial Place SE
Canton, OH 44707-2641 USA
866.RIDEAIR (743.3247)
330.489.0045 • Fax 800.696.4416

Hendrickson Canada

250 Chrysler Drive, Unit #3
Brampton, ON Canada L6S 6B6
800.668.5360
905.789.1030 • Fax 905.789.1033

Hendrickson Mexicana

Circuito El Marqués Sur #29
Parque Industrial El Marqués
Pob. El Colorado, Municipio El Marqués,
Querétaro, México C.P. 76246
+52 (442) 296.3600 • Fax +52 (442) 296.3601