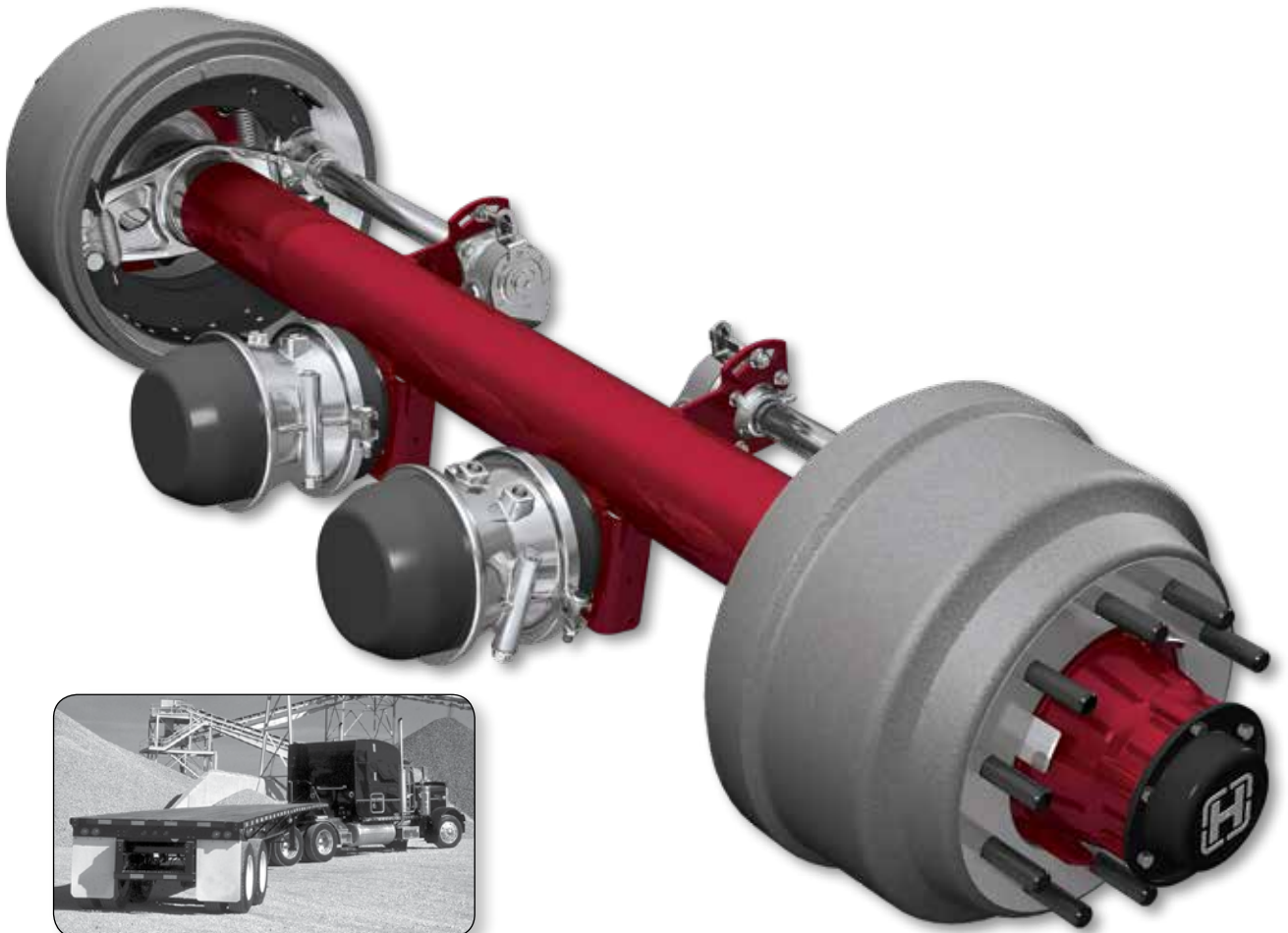


HTA[®] HENDRICKSON TRAILER AXLE[™]

- Proven performance
- Trailer industry standard axle
- Less downtime



Industry-standard, low-maintenance axle

The HTA[®] Hendrickson Trailer Axle[™] for trailer axle applications is one of our full-line, industry-standard, low maintenance axles. Featuring Hendrickson's patented axle filter for internal venting, HTA axles come fully dressed with a standard package including brakes and hub piloted hubs. With axle capacities up to 30,000 pounds, the five-inch round HTA axle includes heat-treated spindles, rigid forged steel spiders and 16.5 × 7-inch brakes.

To enhance durability, Hendrickson added an oil-impregnated bronze spider bushing and hardened machined cam heads, journals and splines. Hendrickson Trailer Axles deliver low-cost, low maintenance solutions for your trailer axle needs. Specifying HTA axles guarantees outstanding warranty coverage and support from a trusted name in the commercial vehicle industry.



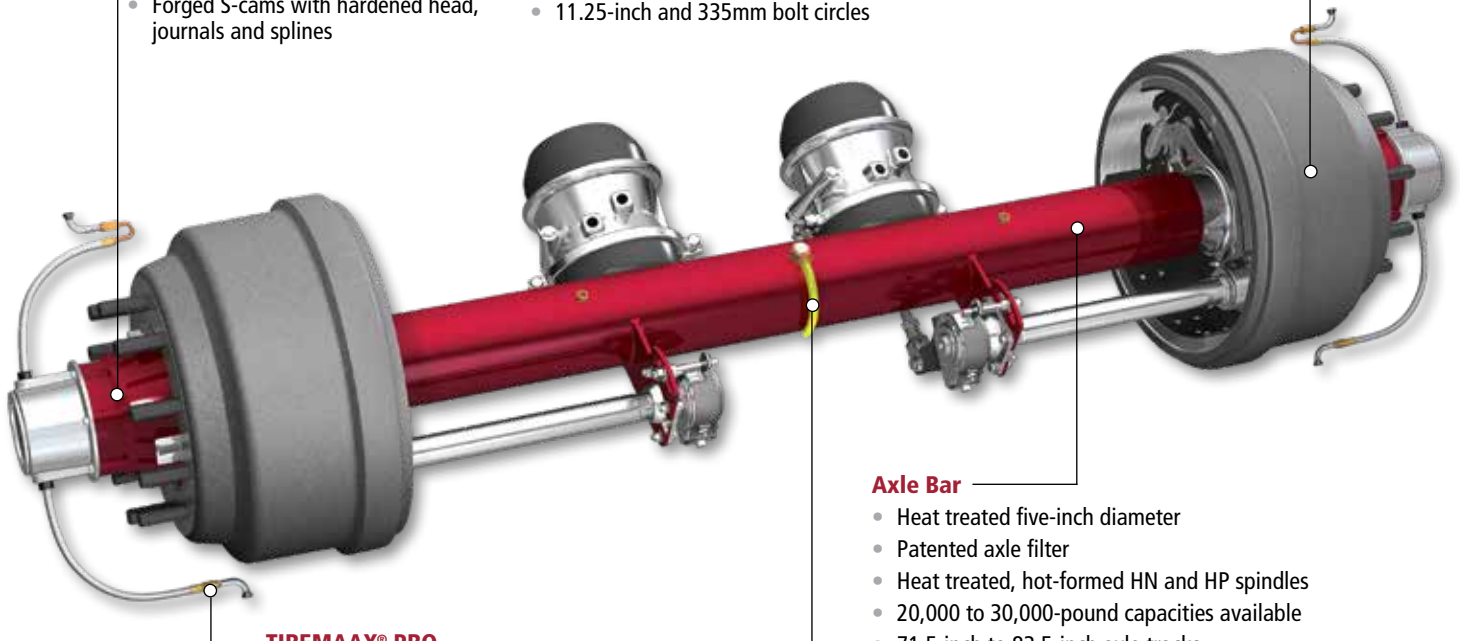
MAC Trailer Aftermarket Parts, Inc.
Phone: 1-800-647-9424 • 330-823-6885
Fax: 330-823-6883 • Web: www.MACtrailer.com
Email: parts@mactrailer.com

 **HENDRICKSON**
The World Rides On Us[®]

HTA® HENDRICKSON TRAILER AXLE™ Features and Benefits

Wheel-Ends and Brakes

- 20,000-pound capacity
- 16.5 × 7-inch standard service – fast change shoes using Hendrickson proprietary 20K lining
- E-Coated brake shoes for protection against rust jacking
- Forged S-cams with hardened head, journals and splines
- Lightweight outboard mounted cast iron brake drums
- Cam shafts removable without removing the hub on hub piloted
- ABS ready
- Hub piloted hubs
- 11.25-inch and 335mm bolt circles



TIREMAAX® PRO

Industry's only automatic tire pressure control system

- Automatically inflates tires using the trailer air supply
- Prevents over-inflation by relieving air from the tires back through the controller
- Patent-pending controller is designed to recognize normal pressure increase due to operation

Axle Bar

- Heat treated five-inch diameter
- Patented axle filter
- Heat treated, hot-formed HN and HP spindles
- 20,000 to 30,000-pound capacities available
- 71.5-inch to 83.5-inch axle tracks
- Axle bar warranted for 5-year parts / 1-year labor. Extended warranties available*

* For complete warranty terms, conditions and limitations, see the current version of Hendrickson's Comprehensive Warranty Statement L583 (available at www.hendrickson-intl.com) or call Hendrickson.

Value-Added Options

- RTR® READY-TO-ROLL® factory assembled wheel-end options reduce weight, enhance durability and lower maintenance (See RTR Wheel-End flyer - L1200)
- Ductile iron, ADI or aluminum hubs
- Standard-duty and heavy-duty drums
- TIREMAAX® PRO and CP tire inflation systems help maximize tire life and maintain peak fuel mileage (See TIREMAAX brochure - L1199)
- 16.5 × 7-inch HXS® and 16.5 × 8.625-inch HXS Hendrickson Extended Service™ brakes extend intervals between brake service
- Hendrickson's patent-pending AAXTREME COAT® brake shoe coating (See AAXTREME COAT flyer - L1207)
- 5.5- or 6-inch auto slack adjusters and manual slack adjusters available
- Brake chambers in various configurations
- ABS sensor installation available
- Five-spoke cast ductile iron and stud piloted hubs
- Dust shields
- Spring seat installation

Call your trailer dealer or Hendrickson at **330.489.0045** or **866.RIDEAIR (743.3247)** for additional information.



www.hendrickson-intl.com

TRAILER COMMERCIAL VEHICLE SYSTEMS

2070 Industrial Place SE
Canton, OH 44707-2641 USA
866.RIDEAIR (743.3247)
330.489.0045 • Fax 800.696.4416

Hendrickson Canada

250 Chrysler Drive, Unit #3
Brampton, ON Canada L6S 6B6
800.668.5360
905.789.1030 • Fax 905.789.1033

Hendrickson Mexicana

Circuito El Marqués Sur #29
Parque Industrial El Marqués
Pob. El Colorado, Municipio El Marqués,
Querétaro, México C.P. 76246
+52 (442) 296.3600 • Fax +52 (442) 296.3601